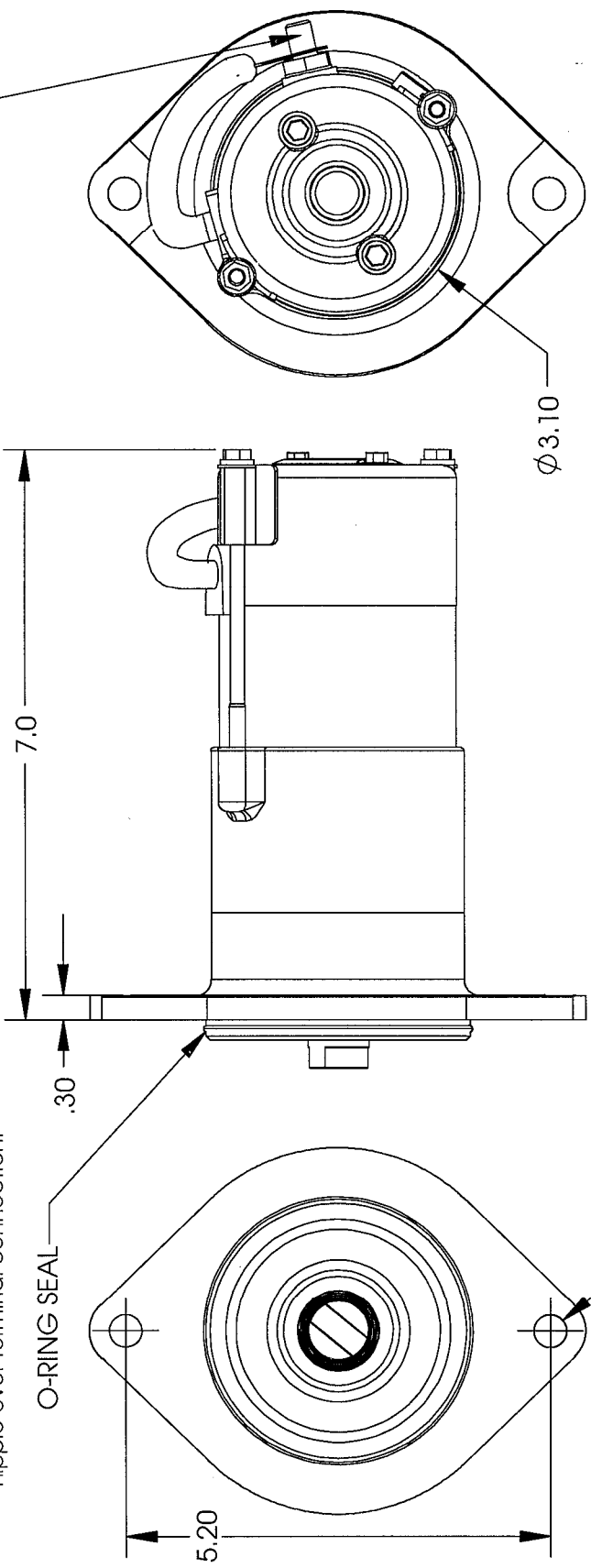


1 2 3 4 5 6 7 8

REVISIONS

LTR.	DESCRIPTION	DATE	APRV.

- INSTALLATION INSTRUCTIONS**
1. Use the existing mounting nuts and washers, or replace, as indicated by condition. Torque the nuts to tightening torque indicated in TCM Engine Overhaul Manual (typically 275-325 In. Lb.).
 2. Remove the nut and internal-tooth lockwasher from the Power Input bolt. Put the power cable terminal over the Power Input bolt, followed by the internal-tooth lockwasher and the nut. Hold a backup on the lower nut and torque the top nut to 50 In. Lb. Do not over-torque. Place insulating nipple over terminal connection.



PMA MARKINGS

Sky-Tec Partners, Ltd. Grandbury, Texas	
C12ST3/C24ST3 INSTALLATION INSTR.	
DRAWN BY: E. Chiappe	DATE 09/02/03
MATERIAL	DWG. NO. 30001

8 7 6 5 4 3 2 1