

NOTES

1. DIMENSIONS ARE METRIC

SOURCE

REVISIONS

LTR.	DESCRIPTION	DATE	APRV.

D

C

B

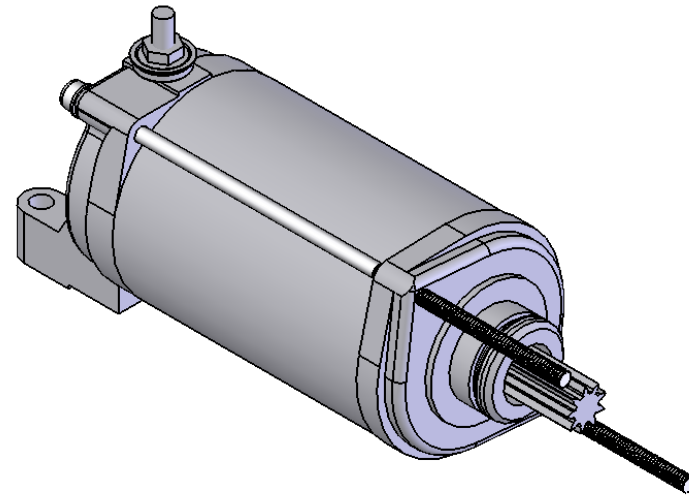
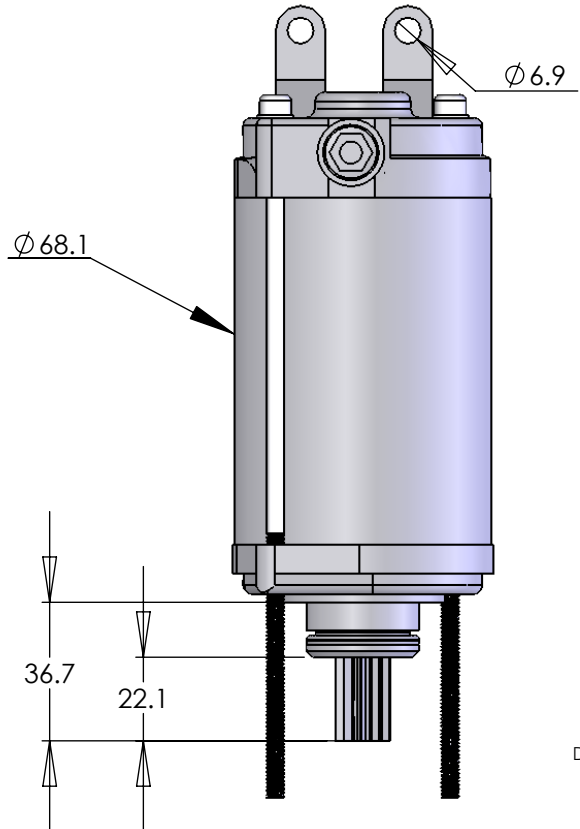
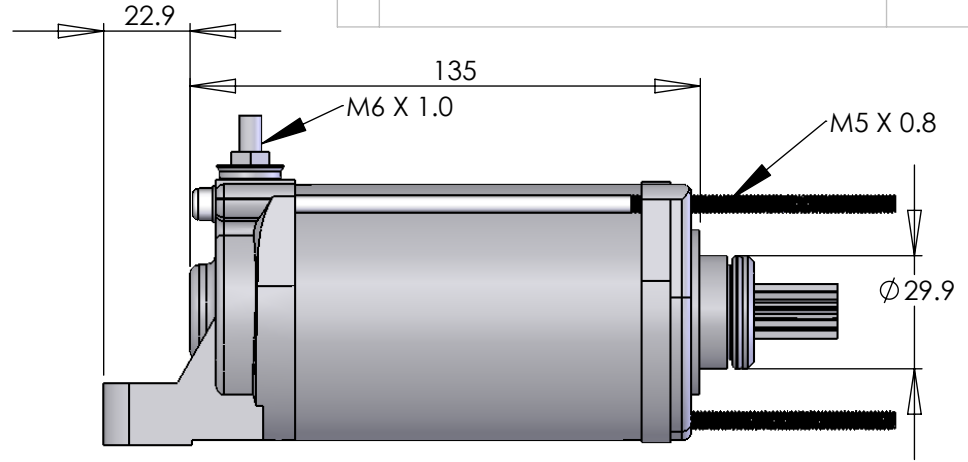
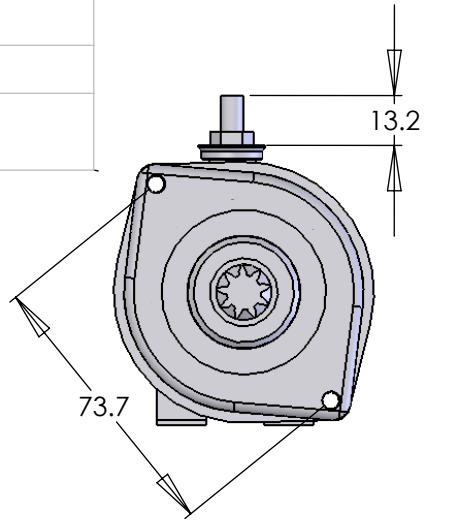
A

D

C

B

A



STANDARD TOLERANCES

ALL DIMENSIONS IN INCHES UNLESS SPECIFIED
 DECIMALS .XX +/- .030, .XXX +/- .010 ANGLES +/- 1 DEG.
 FRACTIONS +/- 1/16 CONCENTRICITY .005
 METRIC TOLERANCES .X +/- 0.2, .XX +/- 0.02

Sky-Tec Partners, Ltd.

Granbury, Texas

ROTAX STARTER

DRAWN BY:	R. CONDY	DATE	12/03/07
MATERIAL		DWG. NO.	12RX
		REV.	

8

7

6

5

4

3

2

1