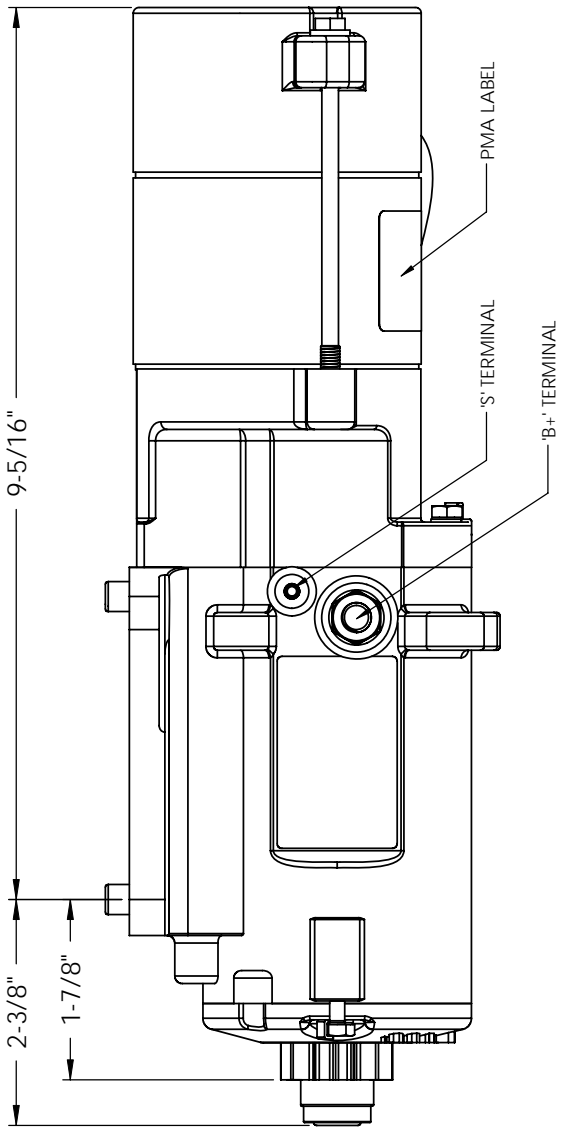
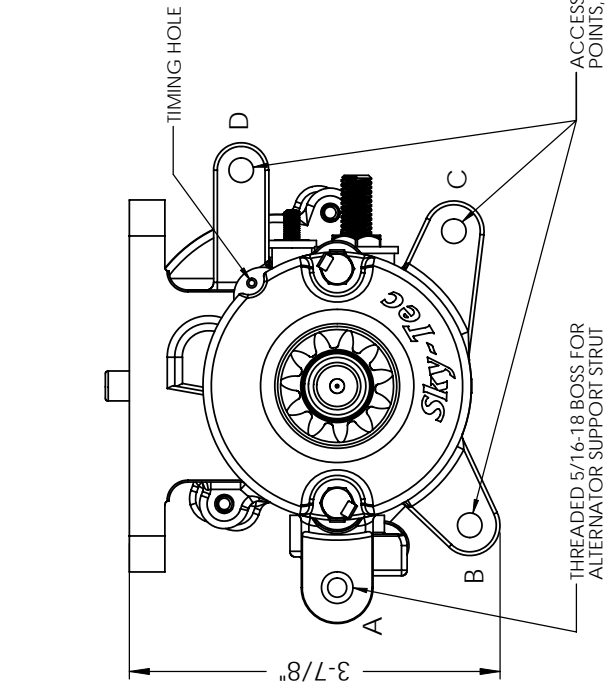


INSTALLATION INSTRUCTIONS

1. INSTALL NEW STARTER WITH EXISTING MOUNTING HARDWARE OR APPROVED REPLACEMENTS.
2. USE 4 EA. AN936-516 INTERNAL TOOTH LOCK WASHERS OR SUPPLIED M8 INTERNAL TOOTH LOCK WASHERS UNDER EACH NUT AND/OR BOLT HEAD.
3. TORQUE MOUNTING NUTS AND/OR BOLTS TO 100 INCH-POUNDS.
4. NL & NLR MODELS: FOR 12V OPERATION, INSTALL JUMPER WIRE BETWEEN THE 'B+' TERMINAL AND THE 'S' TERMINAL. FOR 24V OPERATION, REMOVE THE JUMPER WIRE AND DISCARD.
5. PLACE MS2571-1S AND MS2571-2S (OR SIMILAR) INSULATING NIPPLES OVER THE 'B+' AND 'S' TERMINAL CONNECTIONS WHEN INSTALLING.
6. PLACE POWER CABLE RING-TERMINAL OVER STARTER 'B+' TERMINAL. INSTALL SUPPLIED M8 INTERNAL TOOTH LOCK WASHER AND NUT ON STARTER 'B+' TERMINAL. USE A 13mm WRENCH TO TORQUE THE NUT TO 60 INCH-POUNDS.
7. IF JUMPER IS INSTALLED, USE A 7mm WRENCH TO TORQUE THE SUPPLIED M4 NUT ON THE 'S' TERMINAL TO 10 INCH-POUNDS.
8. CONTINUING AIRWORTHINESS: THE STARTER SHOULD BE RETURNED TO THE FACTORY FOR OVERHAUL AT 2700 HOURS OF ENGINE OPERATION OR WHEN A MAJOR OVERHAUL OF THE ENGINE IS PERFORMED, OR IF SERVICING IS REQUIRED. NO OTHER MAINTENANCE IS REQUIRED OR RECOMMENDED.
9. WHERE REQUIRED TO SUPPORT ANCILLARY EQUIPMENT, IT IS PERMISSIBLE TO DRILL OUT THE THREADED HOLE OR OTHERWISE ALTER BOSS 'A', 'BOSSSES' 'B', 'C' & 'D' MAY BE TRIMMED TO WITHIN 1/8" OF THE STARTER CASE AND DISCARDED WHERE REQUIRED TO CLEAR OTHER DEVICES NEAR THE STARTER.

REVISIONS

LTR.	DESCRIPTION	DATE	APRV.
A	ADDED 149-NLR	04/17/03	EC
B	ADDED STEPS 5-7 TO INSTRUCTIONS	06/25/03	EC
C	ADDED STEPS 8 & 9 ACCESSORY BOSS IDENTIFIERS	12/20/05	EC
D	CHANGED NOTE 4, 5, 8 & 9, ADDED LABEL DATA	06/06/06	EC
E	REMOVED NOTE 9, EDITED NOTE 8	08/31/06	RC
F	CHANGED PMA LABEL, CORRECTED PITCH & S/N COLUMNS, EDITED INSTALLATION STEPS FOR CLARITY	06/09/09	RVC



PMA DATA TABLE

MODEL	S/N	PITCH	VOLTS
122-NL	CN-	10/12	12/24
149-NL	FN-	12/14	12/24
149-NLR	FNR-	12/14	12/24
122-NL/ec	CNE-	10/12	24
149-NL/ec	FNE-	12/14	24
149-NLR/ec	FNER-	12/14	24

PMA LABEL

Sky-Tec **FAA-PMA**
 For eligibility see PMA PQ0852SW Supplement 7 at www.skytecair.com/eligibility.htm

Model No. [MODEL NO.] Serial No. [SERIAL NO.]
 Rev [REV] Pitch [PITCH] Volts [VOLTS]

Sky-Tec Partners, Ltd.
 Granbury, Texas

NL, NL/ec, NLR & NLR/ec INSTALLATION

DRAWN BY: E. CHIAPPE DATE: 11/27/2002

MATERIAL: DWG. NO. 25001 REV. F